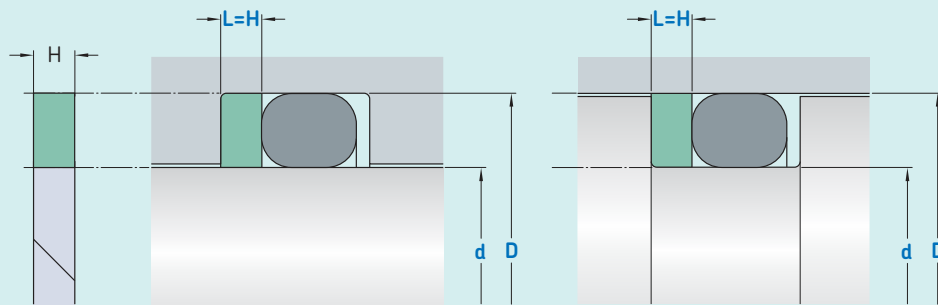


ST08



Ordering dimensions in **blue**

Pressure Surface roughness	Constant		Pulsating	
	R_{tmax}	R_a	R_{tmax}	R_a
	μm			
Sliding surface	$\leq 6,3$	$\leq 1,6$	$\leq 3,2$	$\leq 0,8$
Bottom of groove	$\leq 12,5$	$\leq 3,2$	$\leq 6,3$	$\leq 1,6$
Groove face	$\leq 12,5$	$\leq 3,2$	$\leq 6,3$	$\leq 1,6$

Bearing area: 50–95% and a cutting depth of 0,5 R_z based on $C_{ref} = 0\%$
 Table values are relevant for static applications.
 For dynamic applications, please refer to the recommended surface roughness of the corresponding sealing element.

Standard dimensions

Minimum nominal inside diameter
 $d \geq 4,5 \text{ mm}$.

Profile size, surface data and tolerances are the result of a combination of the relevant application specific sealing material. Standard version: cutting gap 0, cut 45°.

Ordering example

Profile
 $d \times D \times L$ [mm]
 Back-up ring

Back-up ring ST08
 100 x 120 x 3
 SKF Ecotal

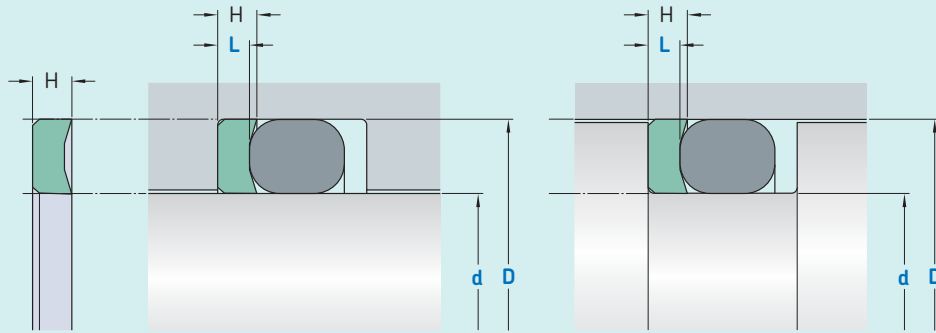
Operating parameters

Material Back-up ring ¹⁾	Temperature	
	from	to
	°C	
■ ECOPUR	-70	+110
■ ECOPUR LD	-70	+110
■ G-ECOPUR	-70	+110
■ H-ECOPUR	-70	+110
■ S-ECOPUR	-70	+110
■ T-ECOPUR	-70	+110
■ X-ECOPUR	-70	+110
■ G-ECOPUR 54D	-70	+110
■ X-ECOPUR H	-70	+110
■ X-ECOPUR S	-70	+110
■ SKF Ecoflon 1	-200	+200
■ SKF Ecoflon 2	-200	+200
■ SKF Ecotal	-50	+100
■ SKF Ecomid	-40	+110
■ SKF Ecopaek	-100	+260

IMPORTANT NOTE: The stated operating conditions represent general indications. It is recommended not to use all maximum values simultaneously.

¹⁾ Size limitation D: Up to 260 mm SKF Ecotal, from 260 – 400 mm SKF Ecotal or SKF Ecomid and above 400 mm SKF Ecomid.

ST09



Ordering dimensions in **blue**

Pressure Surface roughness	Constant		Pulsating	
	R_{tmax}	R_a	R_{tmax}	R_a
	μm			
Sliding surface	$\leq 6,3$	$\leq 1,6$	$\leq 3,2$	$\leq 0,8$
Bottom of groove	$\leq 12,5$	$\leq 3,2$	$\leq 6,3$	$\leq 1,6$
Groove face	$\leq 12,5$	$\leq 3,2$	$\leq 6,3$	$\leq 1,6$

Bearing area: 50–95% and a cutting depth of 0,5 R_z based on $C_{ref} = 0\%$

Standard dimensions

Minimum nominal inside diameter
 $d \geq 4,5$ mm.

Profile size, surface data and tolerances are the result of a combination of the relevant application specific sealing material. Standard version: uncut.

Ordering example

Profile
 $d \times D \times L$ [mm]
Back-up ring

Back-up ring ST09
100 x 120 x 3
X-ECOPUR

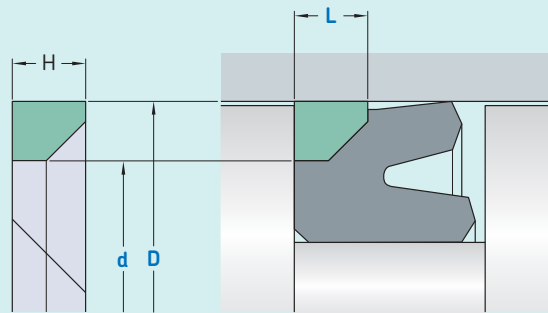
Operating parameters

Material Back-up ring ¹⁾	Temperature	
	from	to
	°C	
■ ECOPUR	-70	+110
■ ECOPUR LD	-70	+110
■ G-ECOPUR	-70	+110
■ H-ECOPUR	-70	+110
■ S-ECOPUR	-70	+110
■ T-ECOPUR	-70	+110
■ X-ECOPUR	-70	+110
■ G-ECOPUR 54D	-70	+110
■ X-ECOPUR H	-70	+110
■ X-ECOPUR S	-70	+110
■ SKF Ecoflon 1	-200	+200
■ SKF Ecoflon 2	-200	+200
■ SKF Ecotal	-50	+100
■ SKF Ecomid	-40	+110
■ SKF Ecopaek	-100	+260

IMPORTANT NOTE: The stated operating conditions represent general indications. It is recommended not to use all maximum values simultane.

¹⁾ Size limitation D: Up to 260 mm SKF Ecotal, from 260 – 400 mm SKF Ecotal or SKF Ecomid and above 400 mm SKF Ecomid.

ST10



Ordering dimensions in **blue**

Sealing material	TPU / Elastomers / PTFE	
	R_{tmax}	R_a
Surface roughness	μm	
Sliding surface	$\leq 2,5$	0,05–0,2
Bottom of groove	$\leq 6,3$	$\leq 1,6$
Groove face	≤ 15	≤ 3

Bearing area: 50–95% and a cutting depth of 0,5 R_z based on $C_{ref} = 0\%$

Standard dimensions

Minimum nominal inside diameter $d \geq 4,5$ mm.

Profile size, surface data and tolerances are the result of a combination of the relevant application specific sealing material. Standard version: cutting gap 0, cut 45°.

Ordering example

Profile
D x d x L [mm]
Back-up ring

Back-up ring ST10
100 x 85 x 10
SKF Ecotal

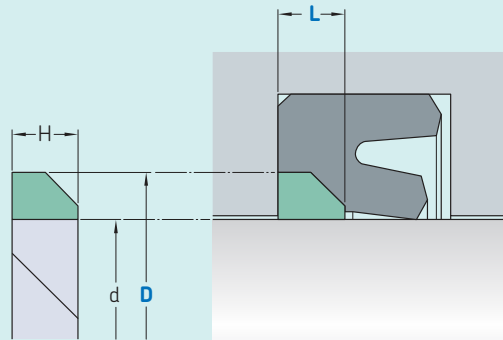
Operating parameters

Material Back-up ring ¹⁾	Temperature	
	from	to
	°C	
■ SKF Ecoflon 2	-200	+200
■ SKF Ecotal	-50	+100
■ SKF Ecomid	-40	+110
■ SKF Ecopaek	-100	+260

IMPORTANT NOTE: The stated operating conditions represent general indications. It is recommended not to use all maximum values simultaneously.

¹⁾ Size limitation D: Up to 260 mm SKF Ecotal, from 260 – 400 mm SKF Ecotal or SKF Ecomid and above 400 mm SKF Ecomid.

ST11



Ordering dimensions in **blue**

Sealing material Surface roughness	TPU / Elastomers		PTFE	
	R_{tmax}	R_a	R_{tmax}	R_a
	μm			
Sliding surface	$\leq 2,5$	$0,05-0,3$	≤ 2	$0,05-0,2$
Bottom of groove	$\leq 6,3$	$\leq 1,6$	$\leq 6,3$	$\leq 1,6$
Groove face	≤ 15	≤ 3	≤ 15	≤ 3

Bearing area: 50–95% and a cutting depth of 0,5 R_z based on $C_{ref} = 0\%$

Standard dimensions

Minimum nominal inside diameter $d \geq 4,5$ mm.

Profile size, surface data and tolerances are the result of a combination of the relevant application specific sealing material. Standard version: cutting gap 0, cut 45°.

Ordering example

Profile
D x L [mm]
Back-up ring

Back-up ring **ST11**
120 x 13
SKF Ecotal

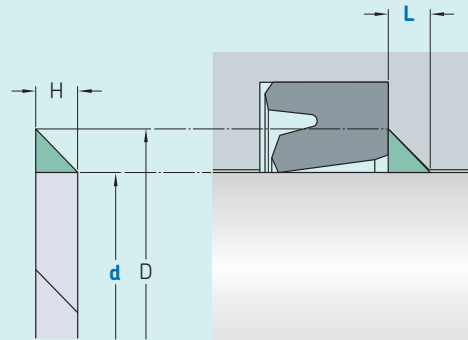
Operating parameters

Material Back-up ring ¹⁾	Temperature	
	from	to
	°C	
■ SKF Ecoflon 2	-200	+260
■ SKF Ecotal	-50	+100
■ SKF Ecomid	-40	+110
■ SKF Ecopaek	-100	+260

IMPORTANT NOTE: The stated operating conditions represent general indications. It is recommended not to use all maximum values simultaneously.

¹⁾ Size limitation D: Up to 260 mm SKF Ecotal, from 260 – 400 mm SKF Ecotal or SKF Ecomid and above 400 mm SKF Ecomid.

ST12



Ordering dimensions in **blue**

Sealing material	TPU / Elastomers		PTFE	
	Surface roughness R_{tmax}	R_a	R_{tmax}	R_a
	μm			
Sliding surface	$\leq 2,5$	$0,05-0,3$	≤ 2	$0,05-0,2$
Bottom of groove	$\leq 6,3$	$\leq 1,6$	$\leq 6,3$	$\leq 1,6$
Groove face	≤ 15	≤ 3	≤ 15	≤ 3

Bearing area: 50–95% and a cutting depth of 0,5 R_z based on $C_{ref} = 0\%$

Standard dimensions

Minimum nominal inside diameter
 $d \geq 4,5$ mm.

Profile size, surface data and tolerances are the result of a combination of the relevant application specific sealing material. Standard version: cutting gap 0, cut 45°.

Ordering example

Profile
 $d \times L$ [mm]
Back-up ring

Back-up ring **ST12**
100 x 13
SKF Ecotal

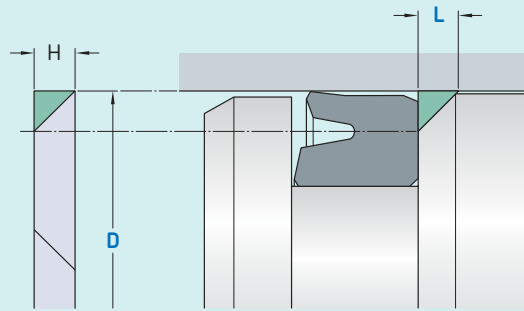
Operating parameters

Material Back-up ring ¹⁾	Temperature	
	from	to
	°C	
■ SKF Ecoflon 2	-200	+260
■ SKF Ecotal	-50	+100
■ SKF Ecomid	-40	+110
■ SKF Ecopaek	-100	+260

IMPORTANT NOTE: The stated operating conditions represent general indications. It is recommended not to use all maximum values simultaneously.

¹⁾ Size limitation D: Up to 260 mm SKF Ecotal, from 260 – 400 mm SKF Ecotal or SKF Ecomid and above 400 mm SKF Ecomid.

ST13



Ordering dimensions in **blue**

Sealing material	TPU / Elastomers / PTFE	
Surface roughness	R_{tmax}	R_a
	μm	
Sliding surface	$\leq 2,5$	0,05–0,2
Bottom of groove	$\leq 6,3$	$\leq 1,6$
Groove face	≤ 15	≤ 3

Bearing area: 50–95% and a cutting depth of 0,5 R_z based on $C_{ref} = 0\%$

Standard dimensions

Minimum nominal inside diameter
 $d \geq 4,5$ mm.

Profile size, surface data and tolerances are the result of a combination of the relevant application specific sealing material. Standard version: cutting gap 0, cut 45°.

Ordering example

Profile
D x L [mm]
Back-up ring

Back-up ring ST13
100 x 13
SKF Ecotal

Operating parameters

Material Back-up ring ¹⁾	Temperature	
	from	to
	°C	
■ SKF Ecoflon 2	-200	+260
■ SKF Ecotal	-50	+100
■ SKF Ecomid	-40	+110
■ SKF Ecopaek	-100	+260

IMPORTANT NOTE: The stated operating conditions represent general indications. It is recommended not to use all maximum values simultaneously.

¹⁾ Size limitation D: Up to 260 mm SKF Ecotal, from 260 – 400 mm SKF Ecotal or SKF Ecomid and above 400 mm SKF Ecomid.